

4200KG
Max. Capacity

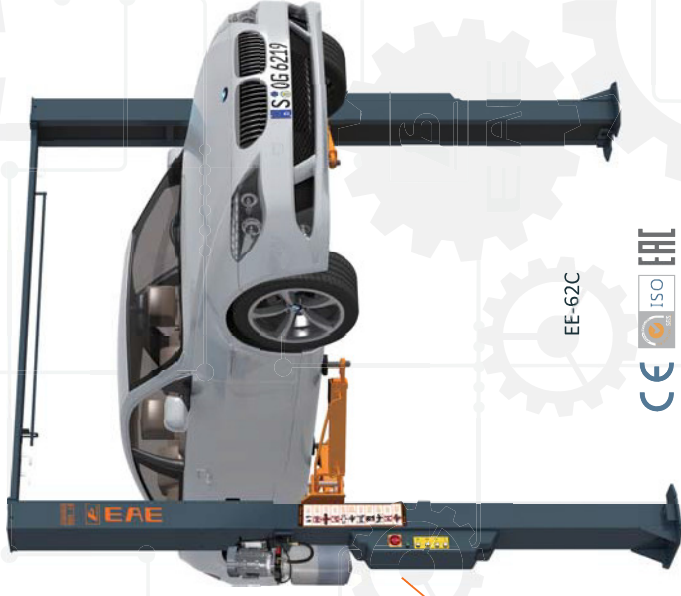
APS
Accurate Parking System
Technology By EAE

2000MM
Max. Lifting Height
with Standard SUV Adapters



Accurate Parking System

Accurate Parking System, abbreviated as APS, is a perfect solution that when do chassis maintenance, transmission repair or changing, when you want to lower the vehicle a little bit for more comfortable working condition, but the vehicle has to be raised up high enough for the lift to release the safety locking, which is not time saving and hard to park the vehicle at the accurate height you really want. EAE applied this technology to its new generation two post lift, 62 series, permits you park the vehicle at any height and lower the vehicle directly and accurately.



EE-62C



EE-62B

H frame for poor floor

EE-62B/62C

TWO POST LIFT WITH APS TECHNOLOGY

- Base Plate type design for low ceiling workshops and garages. (62B)
- Clear floor design for easy movement of maintenance equipment under the raised vehicle. (62C)
- With APS technology.
- 1900mm lifting height.
- 3500kg/4200kg lifting capacity.
- Durable cylinders in each column carry with anti-surge valves.
- Screw-up lifting pads with clearance height less than 100mm.
- The arm locks engage and disengage automatically.
- The rubber protected overhead bar switches off the power system when vehicle roof touches it. (62C)
- Standard aluminum motor avoids being overheated and ensures long service life.
- Durable powder coating.
- Standard door protection pads to prevent possible damage when the door opened without caution.
- Standard chain protection curtain.
- Pre-fixed hydraulic pressure prevents overloading operation.
- ABS control box with rubber gasket sealing.
- CE certified by SGS UK.



Swing Arm Lock



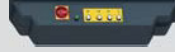
Strong Carriage and Arm Structure



4x100mm Casting Height Adapter



Chain (EE-62B)



24V Control Box



Round Screw-up Lifting Pad

